

# CESAB P100 1.3 tonne

Powered pallet truck



Truck Specifications



## CESAB P113 Truck Specifications

CHARACTERISTICS			
1.1	Manufacturer		CESAB
1.2	Model		P113
1.3	Drive		Electric
1.4	Operator type		Pedestrian
1.5	Load capacity/rated load	Q [kg]	1300
1.6	Load centre	c [mm]	600
1.8	Load distance, centre of support arm wheel to face of forks	x [mm]	937
1.9	Wheelbase	y [mm]	1199
WEIGHT			
2.1	Service weight including battery	[kg]	255
2.2	Axle load, with load, drive/castor/fork wheel	[kg]	535/77/943
2.3	Axle load, without load, drive/castor/fork wheel	[kg]	148/76/31
WHEELS			
3.1	Drive/castor/fork wheel		PU
3.2	Wheel size, front	[mm]	Ø250x60
3.3	Wheel size, rear	[mm]	Ø85
3.4	Additional wheels (dimensions)	[mm]	Ø100x40
3.5	Wheels, number front/rear (x=driven wheels)		2-1x2
3.6	Track width, front	b <sub>10</sub> [mm]	480
3.7	Track width, rear	b <sub>11</sub> [mm]	364
DIMENSIONS			
4.4	Lift	h <sub>3</sub> [mm]	120
	Lift height	h <sub>23</sub> [mm]	205
4.9	Height of tiller in drive position, min./max.	h <sub>14</sub> [mm]	788/1270
4.15	Height, fork lowered	h <sub>13</sub> [mm]	85
4.19	Overall length	l <sub>1</sub> [mm]	1570
4.20	Length to face of forks	l <sub>2</sub> [mm]	420
4.21	Overall width	b <sub>1</sub> [mm]	700
4.22	Fork dimensions	s/e/l [mm]	76/156/1150*
4.25	Width over forks	b <sub>5</sub> [mm]	520*
4.32	Ground clearance, centre of wheelbase	m <sub>2</sub> [mm]	34
4.33	Aisle width for pallets 1000x1200 crossways	A <sub>st</sub> [mm]	1673
4.34	Aisle width for pallets 800x1200 lengthways	A <sub>st</sub> [mm]	1873
4.35	Turning radius	W <sub>a</sub> [mm]	1410
PERFORMANCE DATA			
5.1	Travel speed, with/without load	[km/h]	4/5,5
5.2	Lift speed, with/without load	[m/s]	0,04/0,07
5.3	Lowering speed, with/without load	[m/s]	0,04/0,04
5.8	Max. gradeability, with/without load	[%]	5/10 <sup>1)</sup>
5.10	Service brake		Electromagnetic
ELECTRIC MOTOR			
6.1	Drive motor rating S2 60 min	[kW]	0,5
6.2	Lift motor rating at S3 15%	[kW]	1,2 <sup>2)</sup>
6.4	Battery voltage/nominal capacity K <sub>s</sub>	[V/Ah]	2x12/63
6.5	Battery weight	[kg]	2x23
OTHERS			
8.1	Type of drive control		Transistor, stepless
8.4	Sound level at the driver's ear according to EN 12 053	[dB(A)]	66

Truck performance and dimensions are nominal and subject to tolerances. Specifications are subject to change without notice.

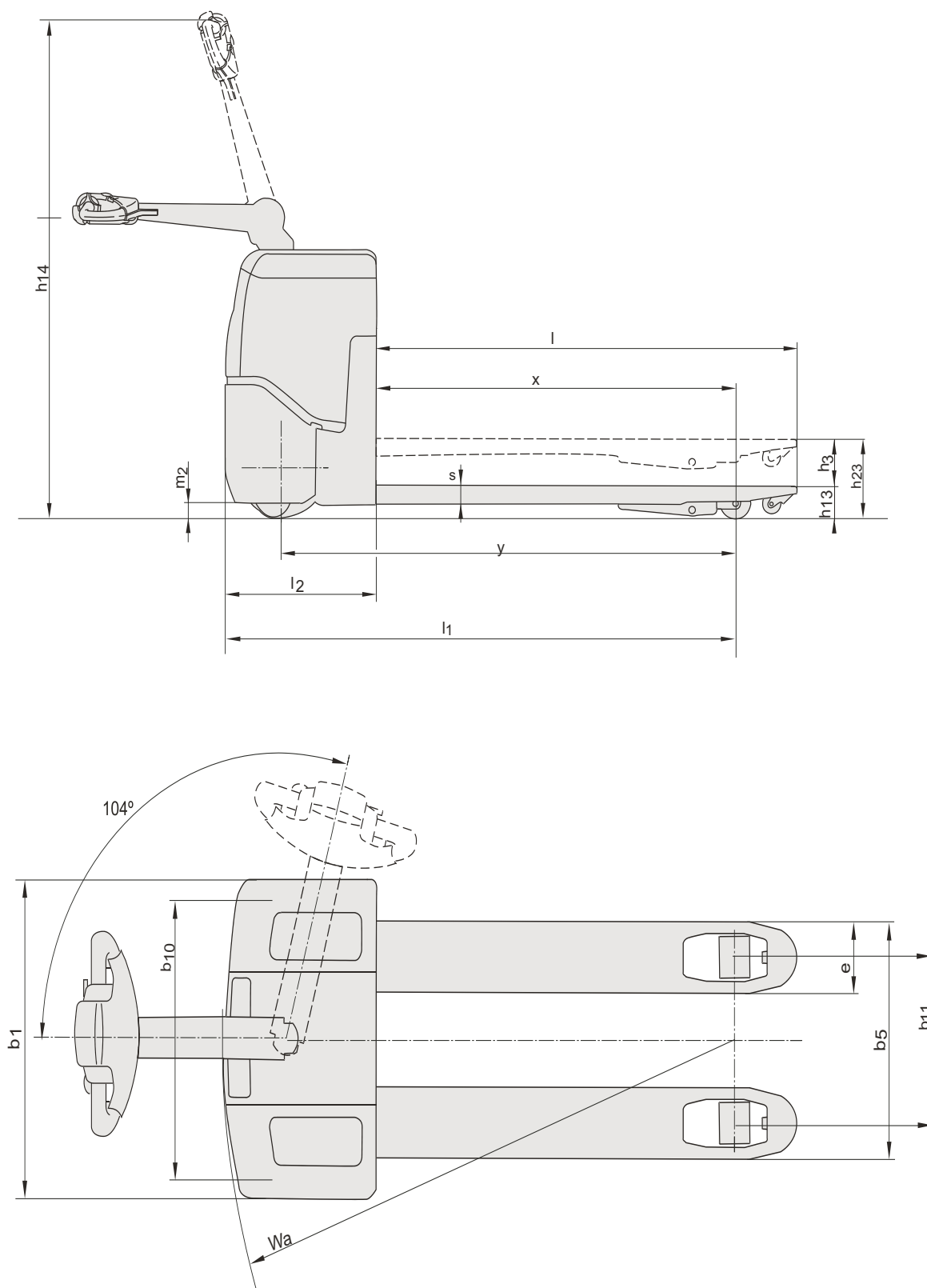
1) Measured according to company standard

2) S3 4.5%

\*) Further alternatives are available and will produce other values.



## CESAB P113 Dimensional Drawings



The data in this specification sheet was determined based on our standard testing conditions. Operating performance may vary depending on the actual specification and condition of the truck as well as the condition of the operating area. Availability and specifications are determined regionally and are subject to change without notice. Please consult your authorised CESAB dealership for further details. SPEC\_P100\_EN\_2013 / P&B P100 V4 - Copyright CESAB Material Handling Europe.

The data in this specification sheet was determined based on our standard testing conditions. Operating performance may vary depending on the actual specification and condition of the truck as well as the condition of the operating area. Availability and specifications are determined regionally and are subject to change without notice. Please consult your authorised CESAB dealership for further details. SPEC\_P100\_EN\_2013 / P&B P100 V4 – Copyright CESAB Material Handling Europe.

